

Wall 3000 with a single sliding door

This module will enable you to construct a 3000mm x 1900mm wall with a single sliding door that will be used in your new garden shed.

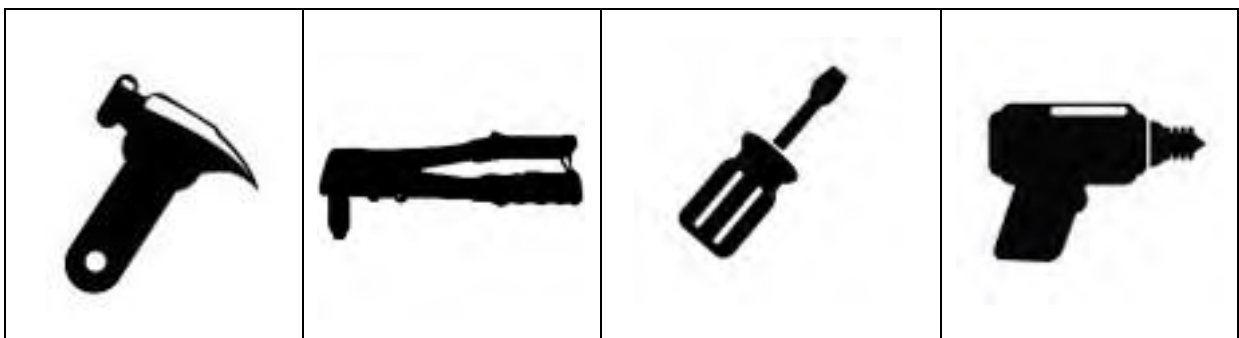
Before you begin the build

Just like our sheds, our manuals are designed in modules to make assembly easier and simpler. Your shed will have come in 5 or 6 boxes that are easy to handle. Each carton contains one shed module together with instructions on how to assemble that module. You begin by assembling your wall modules, then your roof modules and finally you put those modules together to erect your shed.

The key to a hassle free shed assembly is to take your time and have your work area and shed base well prepared prior to starting the build. We suggest that before you go any further, if you haven't already, locate your roof module carton and find the instructions. The roof module instructions contain details on site preparation, your first job, and module assembly and anchoring your shed to the base. **So before you go any further, read the roof module instructions, it will save you time and frustration.**

If you have already read about site preparation – onward.

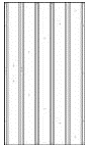
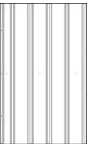
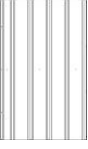
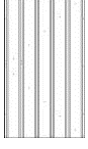





Tools you will need.






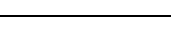
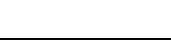

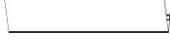

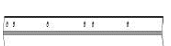
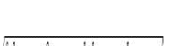


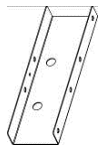
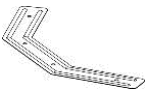
Check the contents

Before you start to construct this wall you will need to check off all of the contents.



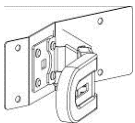

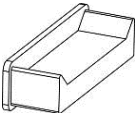


Parts checklist for a 3000 wall with a single sliding door

Picture	Description	Component	Location	Part No.	QTY	Check
	Door	Sheet 1868x770	Door	5A	1	
	Sheet	Sheet 1900x735	Wall	SS06	1	
	Sheet	Sheet 1900x735	Wall	SS07	1	
	Sheet	Sheet 1900x770	Wall	9M'	1	
	Channel	Channel 1868	Door	SC29	1	
	Channel	Channel 1868	Door	SC30	1	
	Channel	Channel 768	Door	21P	2	
	Brace	Brace 1075	Door	U4	2	
	Channel	Channel 736	Wall	C27	2	

Picture	Description	Component	Location	Part No.	QTY	Check
	Channel	Channel 1642	Wall	C29	1	
	Channel	Channel 1642	Wall	SC32	1	
	Channel	Channel 1346	Wall	SC33	1	
	Channel	Channel 1346	Wall	SC34	1	
	Channel	Channel 1898	Wall	22E	1	
	Channel	Channel 1385	Wall	SC35	1	
	Jamb	Jamb 1898	Wall	SJ01	1	
	Bottom Track	Bottom Track 1322	Wall	SO05	1	
	Bottom Track	Bottom Track 1593	Wall	SO10	1	
	Top Track	Top Track 1593	Wall	SO04	1	
	Top Track	Top Track 1322	Wall	SO06	1	
	Jamb	Jamb 1898	Wall	SZ01	1	

Picture	Description	Component	Location	Part No.	QTY	Check
	Track connector	Track connector 178mm	Wall	66A	2	
	Brace	Brace	Door	w	1	

Fittings Pack

Picture	Component	QTY	Picture	Component	QTY
	Self tapping screws(10mm)	30		Self tapping screws(16mm)	45
	Hasp (C4)	1		Staple	1
	White plastic stopple	4		3*10mm Rivet	35
	4*10mm Rivet	16			

If you are missing anything call The Garden Shed Hotline 1300 781 230

Start the Build

Here is what you are building. It is a 3000mm wide x 1900mm high wall with a single sliding door. This type of wall is typically a side or front wall for your shed.

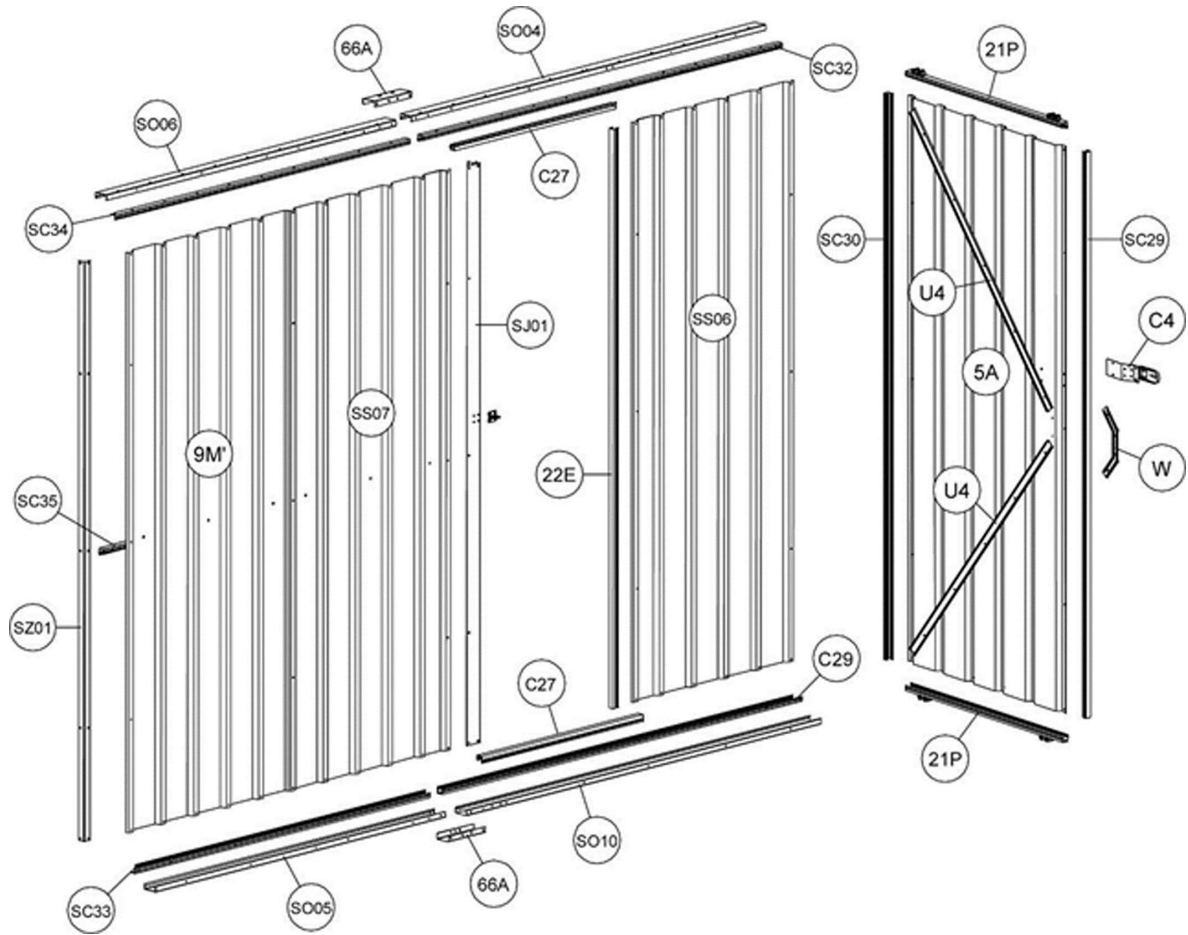
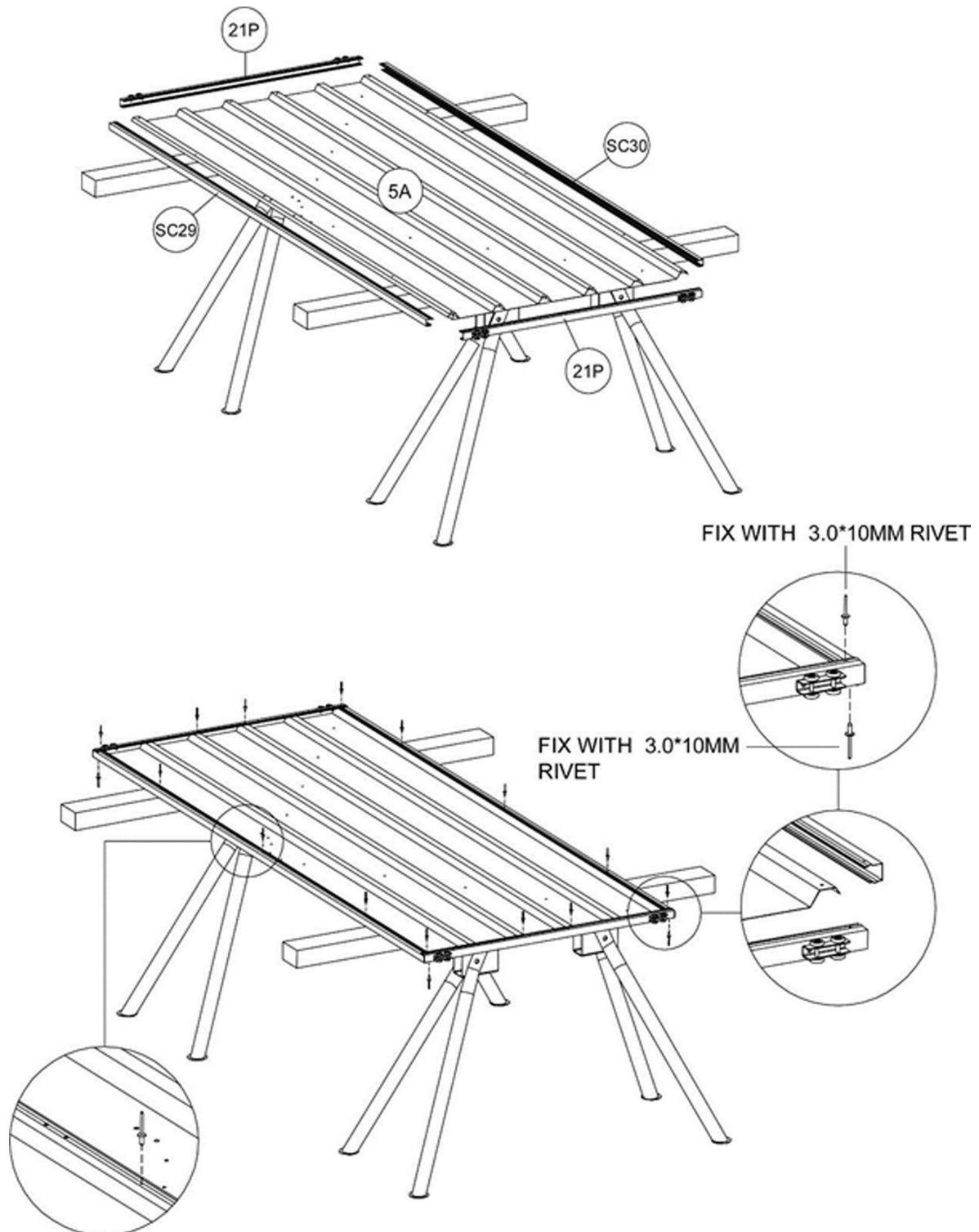


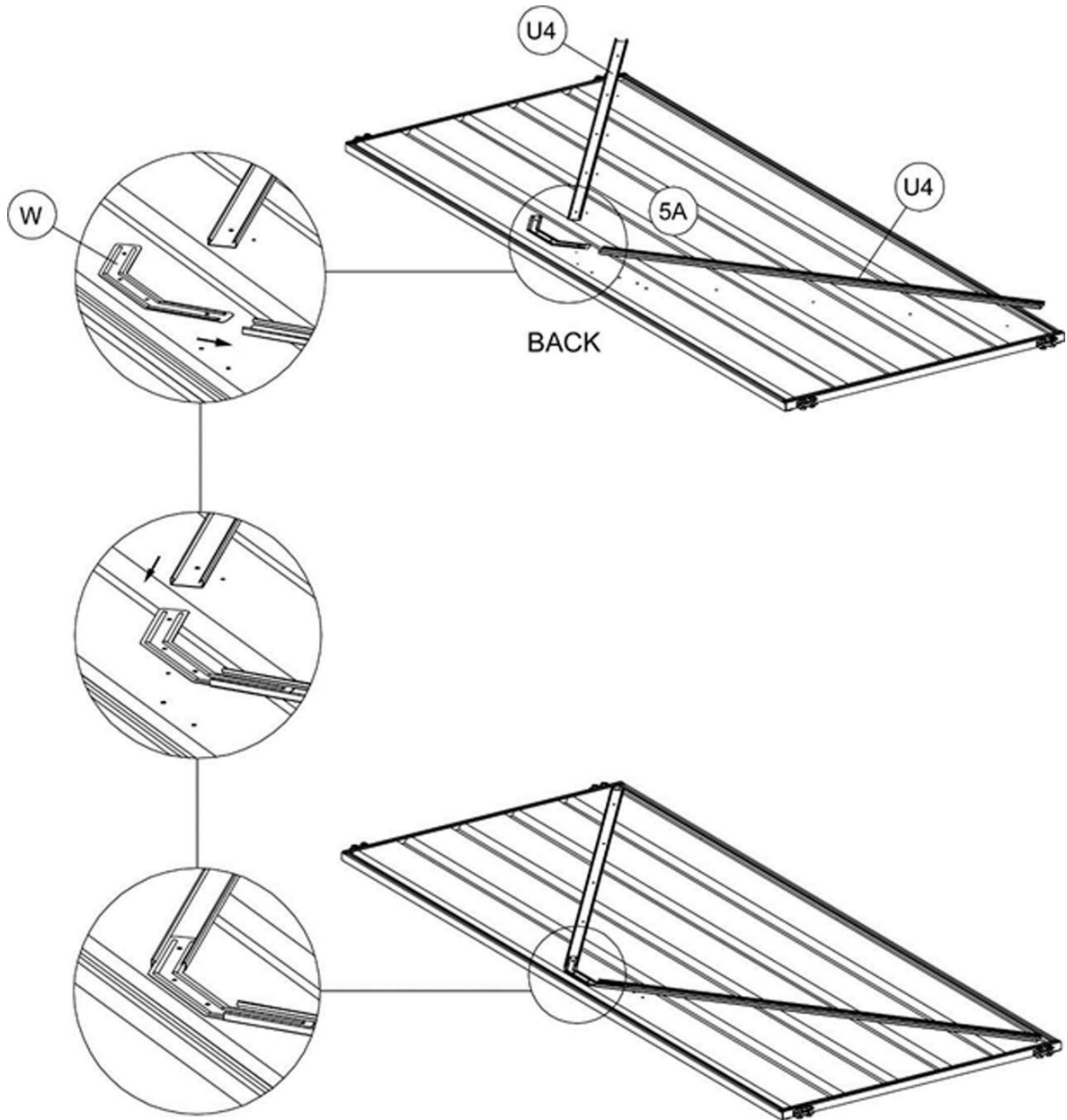
Diagram 1

Assembly Instructions

- 1 Place 5A sheeting on your workbench. Attach 2 x 21P, SC30 and SC29 channels using 3.0*10mm rivets as per diagram 6.

*Diagram 2*

- 2 Now attach W and U4 door bracing using 3.0*10mm rivets as per the diagrams 3 & 4. Fit the white plastic stopple as per diagram 4 to ensure no sharp edges.



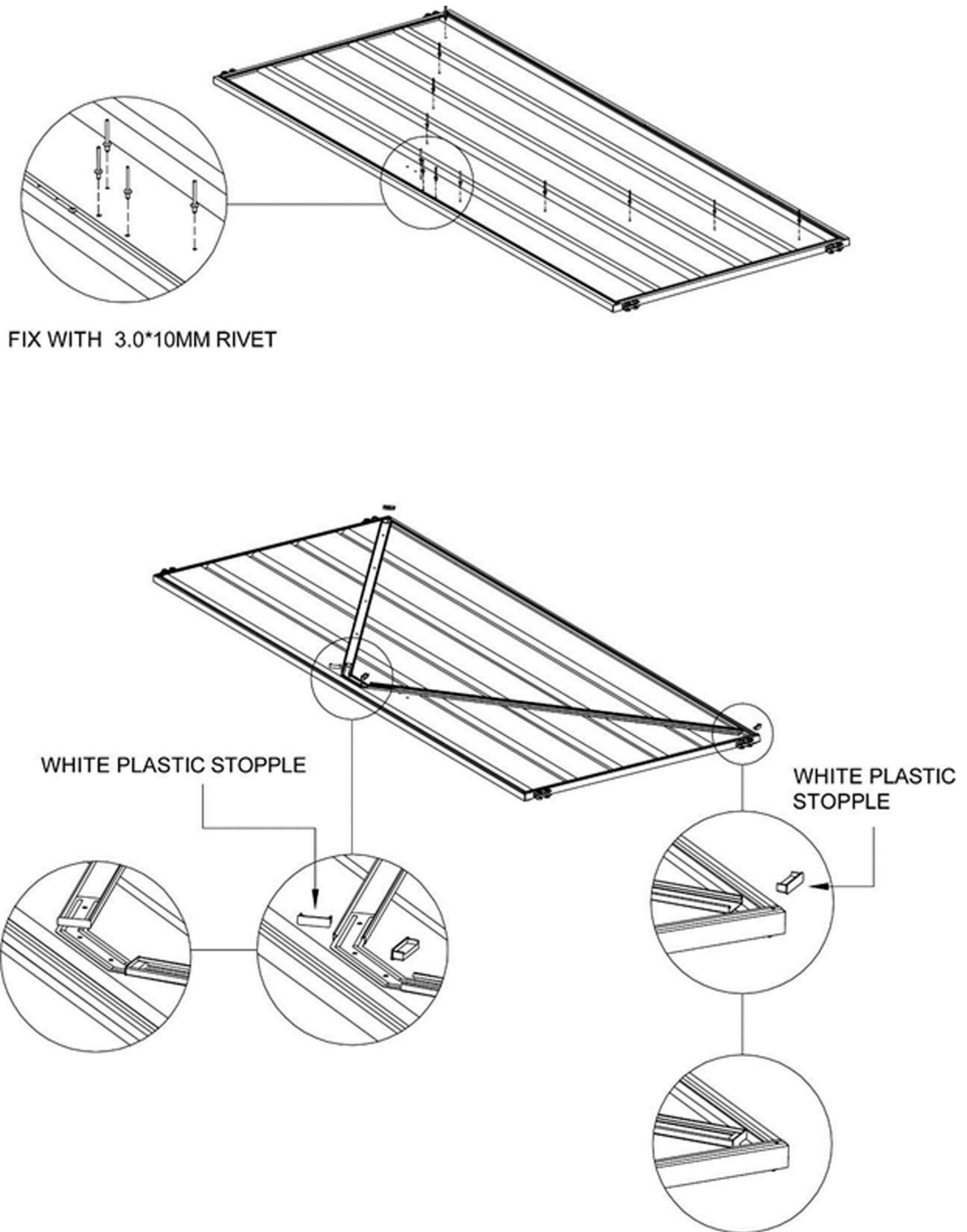


Diagram 4

- 1 Place SS06 and SS07 and 9M sheeting on your work table. Now fit 22E channel and SJ01 jamb. Do not insert the screws marked with the cross now, you will insert these at a later stage.

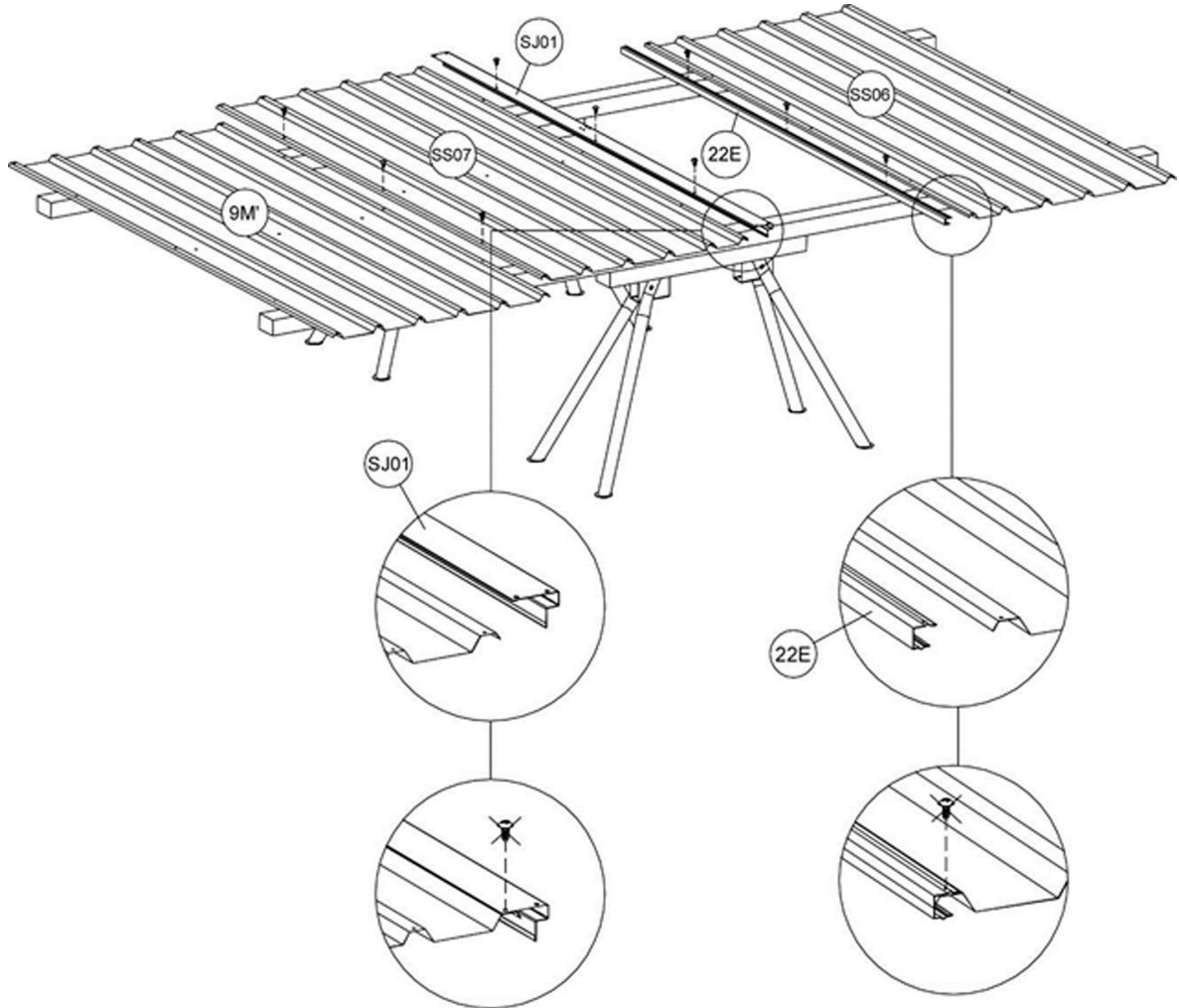


Diagram 5

- 2 Now fit C29 and SC33 bottom channels as per diagram 6. The narrow lip of the channels are always facing to the outside of your shed. Fit C27 channel. and SO10 and SO05 bottom track and 66A track connector. Use the 16mm self tapping screws. Repeat this process for the top as per the diagram.

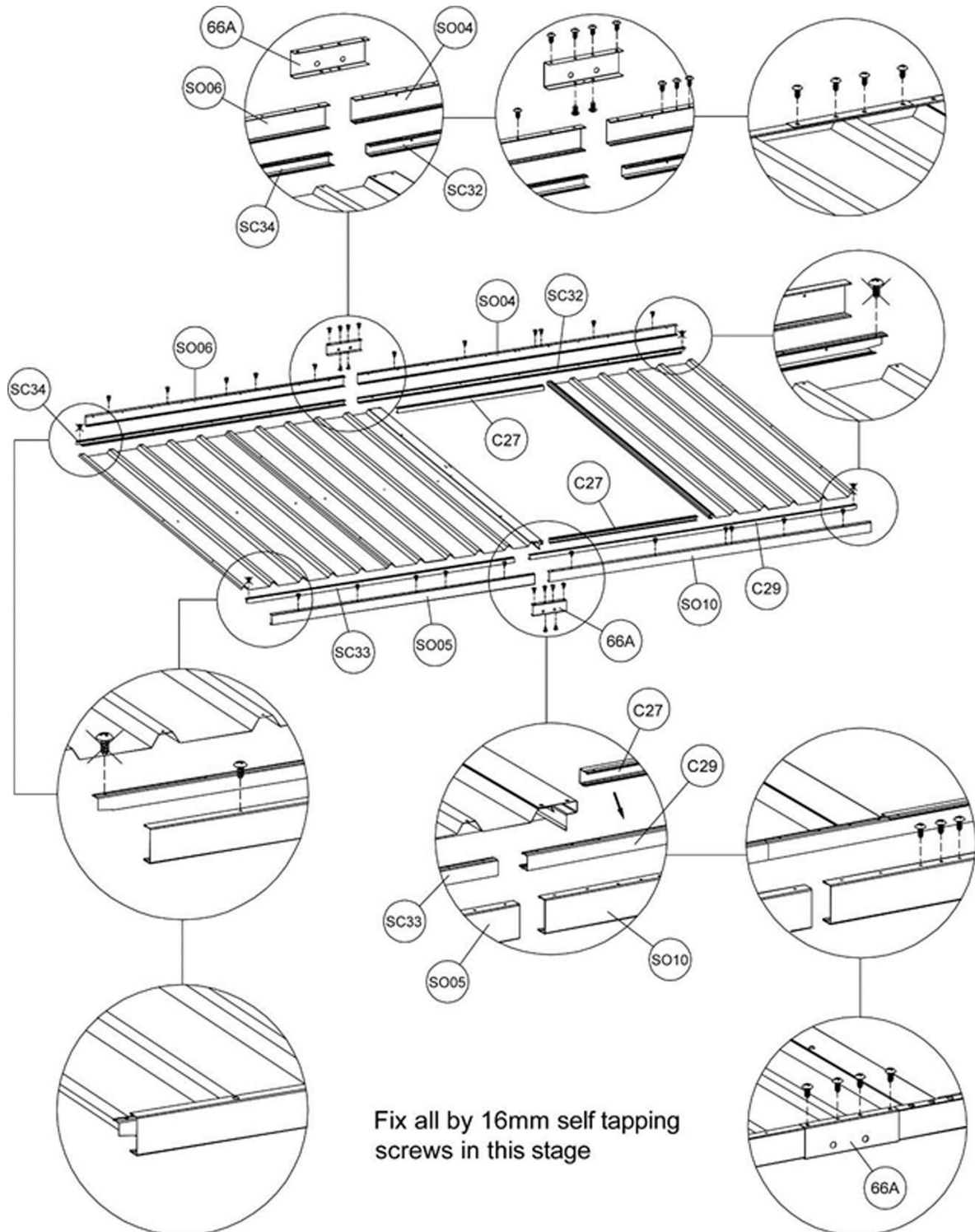


Diagram 6

- 3 Now fit SC35 mid wall channel as per the diagram using 10mm self-tapping screws. The “U” of the mid wall channel faces down towards the bottom channels C29 & SC33.

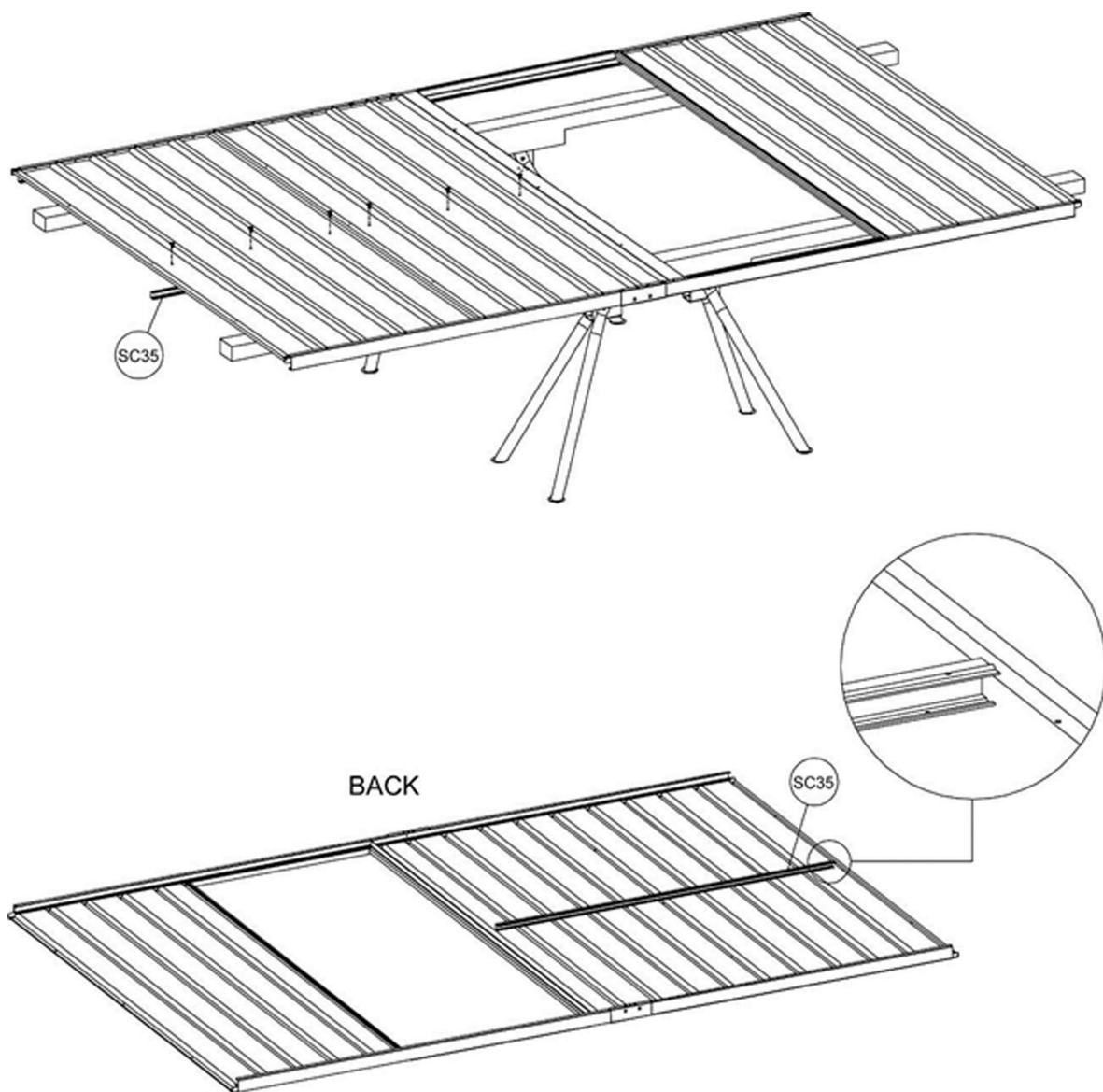


Diagram 7

- 4 Slide the door into position as per diagram 8. Fix hasp and staple using 4.0*10mm rivets.

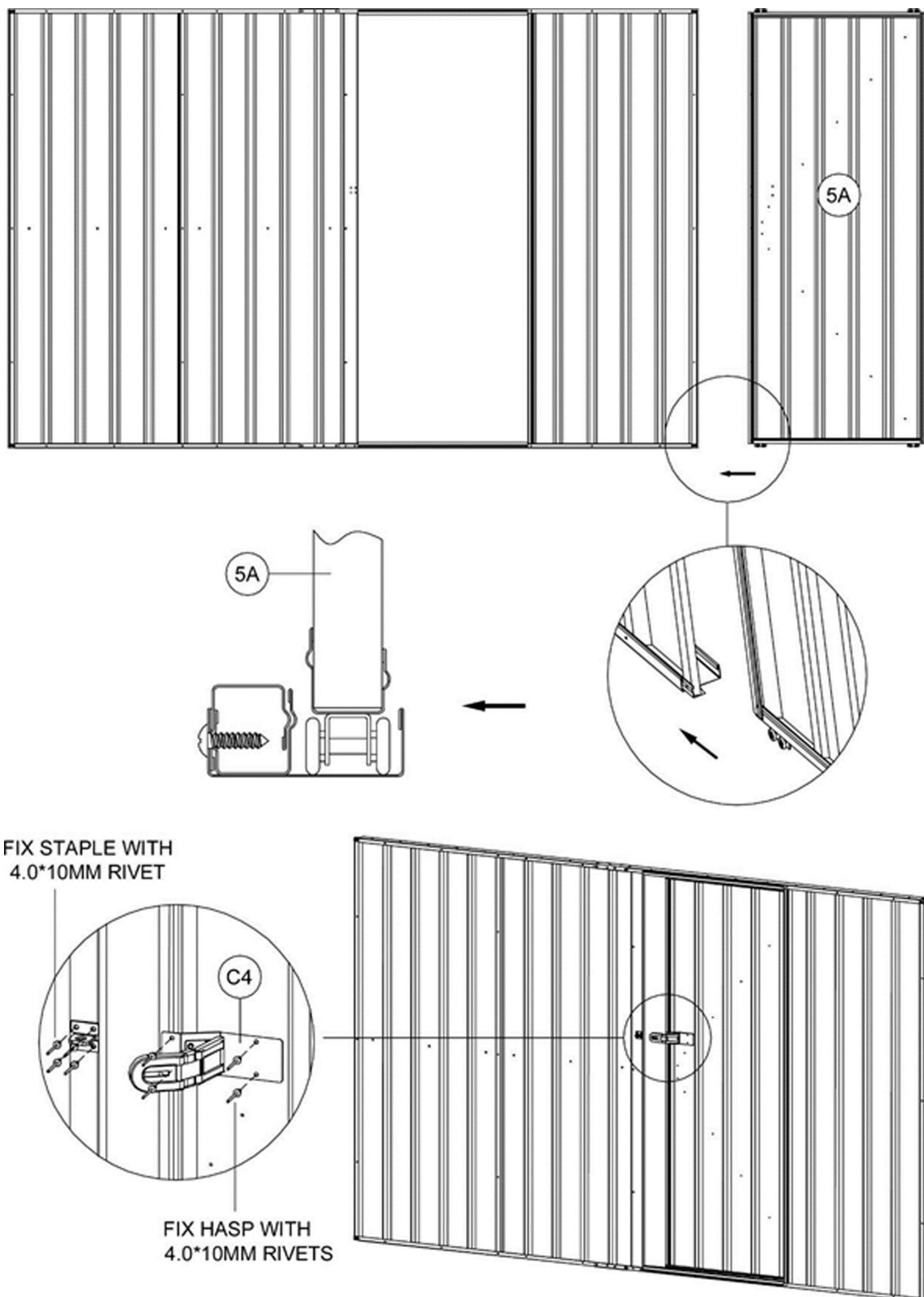


Diagram 8

- 5 Take the corner angle SZ01 and attach it to the left hand edge of your wall. This will be used to join other walls later.

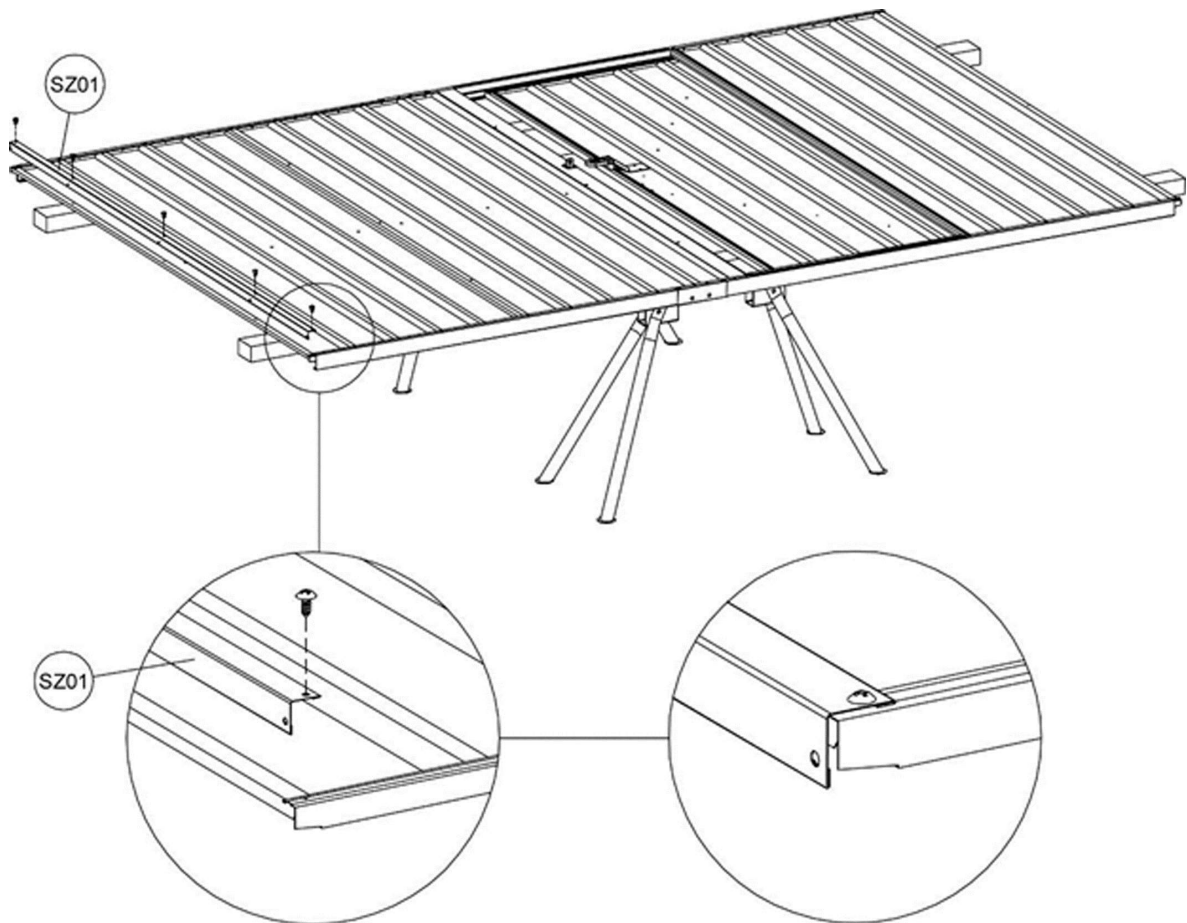


Diagram 9

You have now completed the assembly of this module

What's next?

You will have some screws left over. Don't worry you haven't forgotten anything; we give you more than you need.

Put your 3000mm x 1900mm wall with one sliding door to one side in a safe place where it won't get stepped on, blown over or otherwise damaged and move onto the next wall. If this was the fourth wall you have constructed the next job is the roof.